

# ECN30206SP/SPR/SPV

The ECN30206 is a fully integrated, single-chip BLDC motor driver that facilitates a rapid design process and low part count solution. The chip integrates BLDC Logic with a 3-Phase Inverter containing six (6) 500V rated IGBTs and a Charge Pump TOP Arm bias. To reduce motor current losses, a BLDC motor can now be driven directly from rectified 200 to 230VAC (up to 450VDC) power lines, or from any DC power bus down to 15VDC. On-Chip Brushless (electronic) commutation logic is fully integrated with analog OSC/PWM functions that permit an analog (VSP) voltage to control motor speed.

## Description

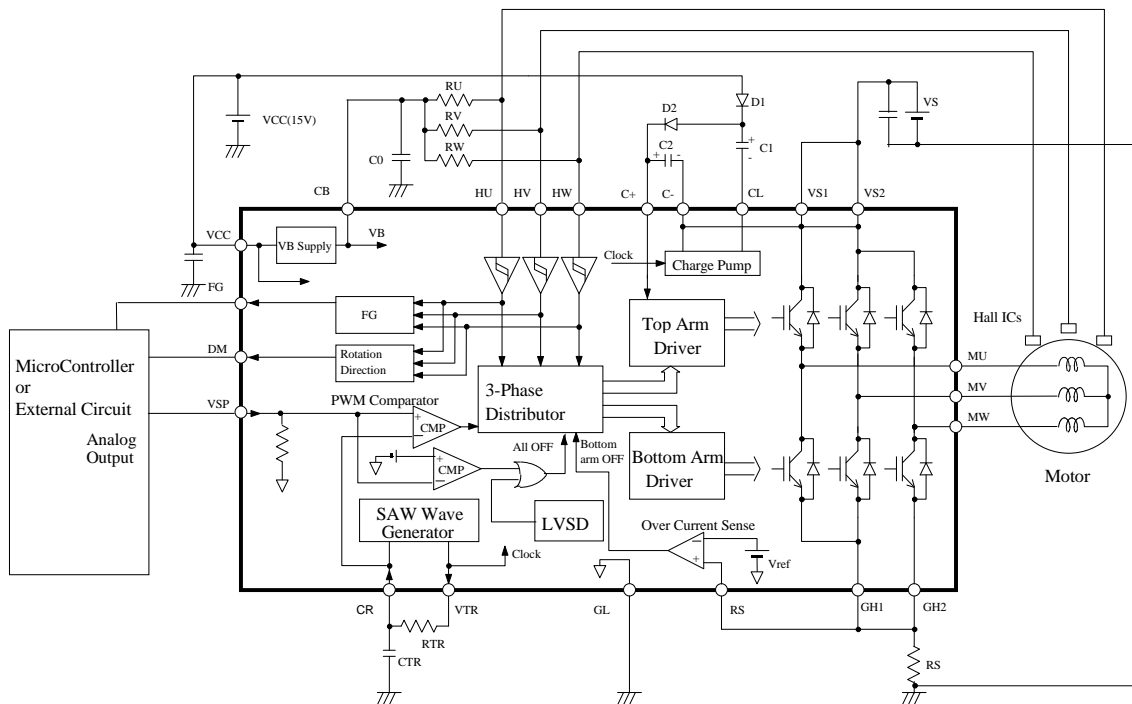
- Integrated, Single-Chip 3-Phase BLDC Motor Driver IC.
- Integrated Charge Pump – Constant TOP Arm bias independent of motor speed.
- Integrated 3-Phase Brushless (Electronic) commutation via external Hall ICs.
- Integrated 3-Phase 6-IGBT Motor Bridge with on chip Free-Wheeling diodes.
- Pinout and Board Layout are compatible with the existing Hitachi ECN3022 and ECN30204.
- Maximum Ratings 500VDC/1.5A.
- Latch-Up free monolithic IC built with a high voltage Dielectrically Isolated (DI) process.
- Available in 3 package types with built-in heat sink (Tab).

## Functions and Features

- Power supply sequence is free when the current limit is less than 1A.
- Vs Operating Voltage Range from 15VDC up to 450VDC.
- Simple Variable Speed Control via a single (VSP) analog input.
- PWM duty cycle generator provides the 0% to 100% speed control range.
- Tachometer – Generates the  $(\text{RPM}/60) \times (P/2) \times 3$  Hz speed signal (FG).
- BOTTOM Arms switch at up to 20kHz via an on-chip OSC/PWM.
- On-Chip 7.5VDC regulator (CB) with the guaranteed external Min load (25mA).
- Over-Current protection is set by an external Sense Resistor (RS).
- Under-Voltage protection for TOP and BOTTOM IGBT Arms.
- All output IGBT Shut-OFF function.

# ECN30206SP/SPR/SPV

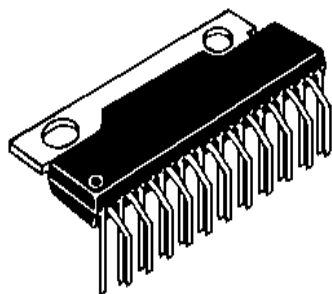
## Block Diagram



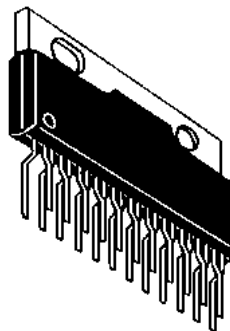
Note : The inside of the bold line shows ECN30206

Figure 1. Block Diagram

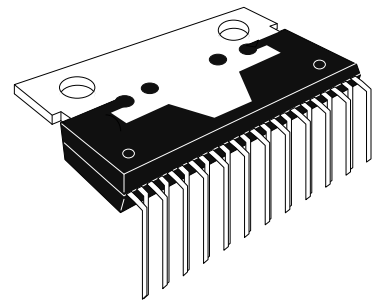
## Types and Packages



ECN30206SP  
(Package Type:SP-23TA)



ECN30206SPV  
(Package Type:SP-23TB)



ECN30206SPR  
(Package Type:SP-23TR)

# ECN30206SP/SPR/SPV

## 1. Absolute Maximum Ratings

Ta = 25 °C

NO.	Item	Symbol	Terminal	Rating	Unit	Condition
1	Output Device Breakdown Voltage	VSM	VS1,VS2 MU,MV,MW	500	V	
2	Analog Supply Voltage	VCC	VCC	18	V	
3	Input Voltage	VIN	VSP,RS HU,HV,HW	-0.5 to VB+0.5	V	
4	Output Current	Pulse	IP MU,MV,MW	1.5	A	Note 1
5		DC		IDC		
6	VB Supply Current	IBMAX	CB	50	mA	
7	Junction Operating Temperature	Tjop	-	-20 to +135	°C	Note 2
8	Storage Temperature	Tstg	-	-40 to +150	°C	

General Note: To determine appropriate deratings for these absolute maximum ratings, see pages 14 and 15 (the Appendix) paragraphs 1.1, 1.2, 1.3, 1.4 and 1.5.

Note 1: Output IGBTs can handle this peak motor current at up to 25 °C junction operating temperature.

Note 2: Thermal Resistance

1) Between junction and IC case (Tab) : Rjc = 4 °C/W

2) Between junction and air : Rja = 40 °C/W

# ECN30206SP/SPR/SPV

## 2. Electrical Characteristics

Suffix ( T ; Top arm, B ; Bottom arm )

Ta = 25 °C

No.	Item	Symbol	Terminal	MIN	TYP	MAX	Unit	Condition	
1	Supply Voltage	VSop	VS1,VS2	15	325	450	V		
2		VCCop	VCC	13.5	15	16.5	V		
3	Standby Current	ISH	VS1,VS2	-	0.3	1.0	mA	VSP=0V,VS=325V,VCC=15V	
4		ICC	VCC	-	3	10	mA	VSP=0V,VCC=15V,IB=0A	
5	IGBT Collector-Emitter	VONT	MU, MV,	-	2.2	3.0	V	I=0.35A,VCC=15V	
6	Saturation Voltage	VONB	MW	-	2.2	3.0	V	I=0.35A,VCC=15V	
7	Output Delay Time	Turn ON	TdONT	MU, MV,	0.5	1.0	2.5	μs	VS=325V,VCC=15V Resistive Load
8		Turn OFF	TdONB	MW	1.0	2.0	3.0	μs	
9		Turn OFF	TdOFFT		1.0	2.0	3.0	μs	
10		Turn OFF	TdOFFB		1.0	2.0	3.0	μs	
11	Free Wheel Diode	VFDT	MU, MV,	-	2.2	2.8	V	I=0.35A	
12	Forward Voltage	VFDB	MW	-	2.2	2.8	V		
13	VTR Output Resistance	RVTR	VTR	-	200	400	Ω	IVTR=±1mA,VCC=15V	
14	SAW Wave	High or Low Level	VSAWH	CR	4.9	5.4	6.1	V	VCC=15V
15		Amplitude	VSAWL		1.7	2.1	2.5	V	Note 1
16		Amplitude	VSAWW		2.8	3.3	3.8	V	VCC=15V Note 2
17	Reference Voltage	Vref	RS	0.45	0.5	0.55	V	VCC=15V	
18	Hall Signal Input	Voltage	VIH	HU, HV, HW	3.5	-	-	V	VCC=15V
19		Voltage	VIL		-	-	1.5	V	
20		Current	IIL		-100	-	-	μA	
21	Current	IIH	-30	-	-	μA	HU,HV,HW=5V VCC=15V		
22	VSP Input	Current	IVSPH	VSP	5	-	100	μA	VSP=5V,VCC=15V Note 4
23		Offset Voltage	SPCOMOF		-40	10	60	mV	VCC=15V Refer to CR terminal
24		All Off Operation	Voff		0.85	1.23	1.6	V	VCC=15V
25	VB Supply Output	Voltage	VB	CB	6.8	7.5	8.2	V	VCC=15V,IB=0A
26		Current	IB		-	-	25	mA	VCC=15V
27	FG, DM Output Voltage and Resistance	VOL	FG,DM	-	1.5	-	V	IOL=-5mA, VCC=15V	Note 5
28		ROL		-	300	400	Ω	IFG=-10mA, VCC=15V	
29	LVSD	Detect Voltage	LVSDON	VCC, MU, MV, MW	11.0	12.0	12.9	V	Note 6
30		Recover Voltage	LVSDOFF		11.1	12.5	13.0	V	
31		Hysteresis	Vrh		0.1	0.5	0.9	V	
32	RS Input Current	IILRS	RS	-100	-	-	μA	VCC=15V, RS=0V Note 7.	
33	OC Shutdown Delay Time	Tref	RS	-	4.0	5.5	μs	VCC=15V	

Note 1. See Standard Applications in Section 4, page 8 to set the SAW wave frequency.

Note 2. The amplitude of SAW (i.e., VSAWW) is determined by the following equation:

$$VSAWW = VSAWH - VSAWL$$

Note 3. Internal pull up resistors are typically 200 kΩ. The equivalent circuit is shown in Figure 2.

Note 4. Internal pull down resistor is typically 200 kΩ. The equivalent circuit is shown in Figure 3.

Note 5. The equivalent circuit is shown in Figure 4.

Note 6. The LVSD (Low Voltage Shut Down) function detects and shuts-down at lower VCC.

Note 7. Internal pull up resistor is typically 200 kΩ. The equivalent circuit is shown in Figure 5.

# ECN30206SP/SPR/SPV

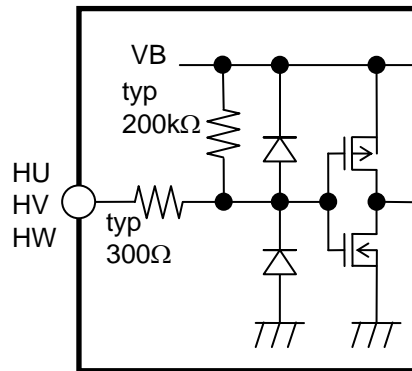


Figure 2. Equivalent circuit around HU, HV, HW terminals

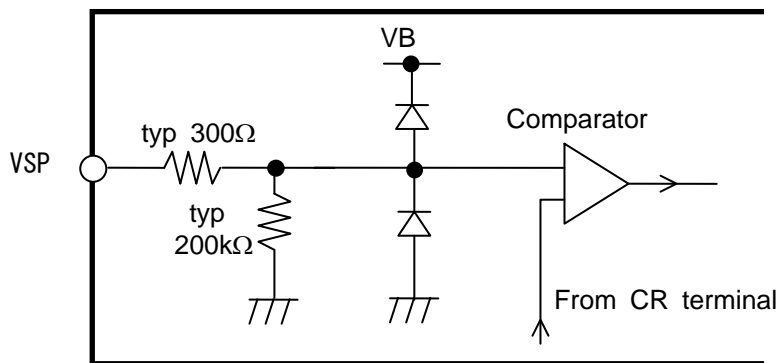


Figure 3. Equivalent circuit around VSP terminal

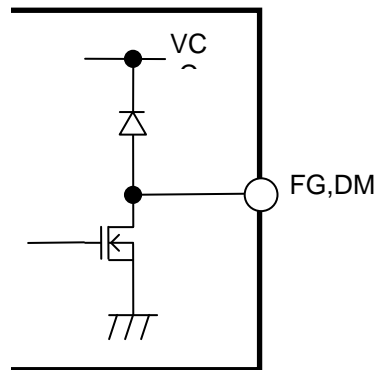


Figure 4. Equivalent circuit around FG, DM terminals

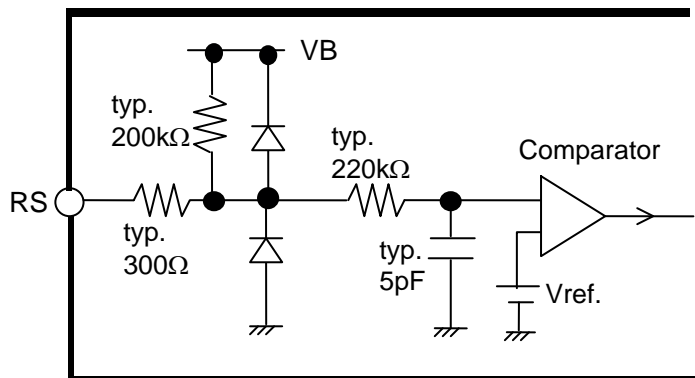


Figure 5. Equivalent circuit around RS terminal

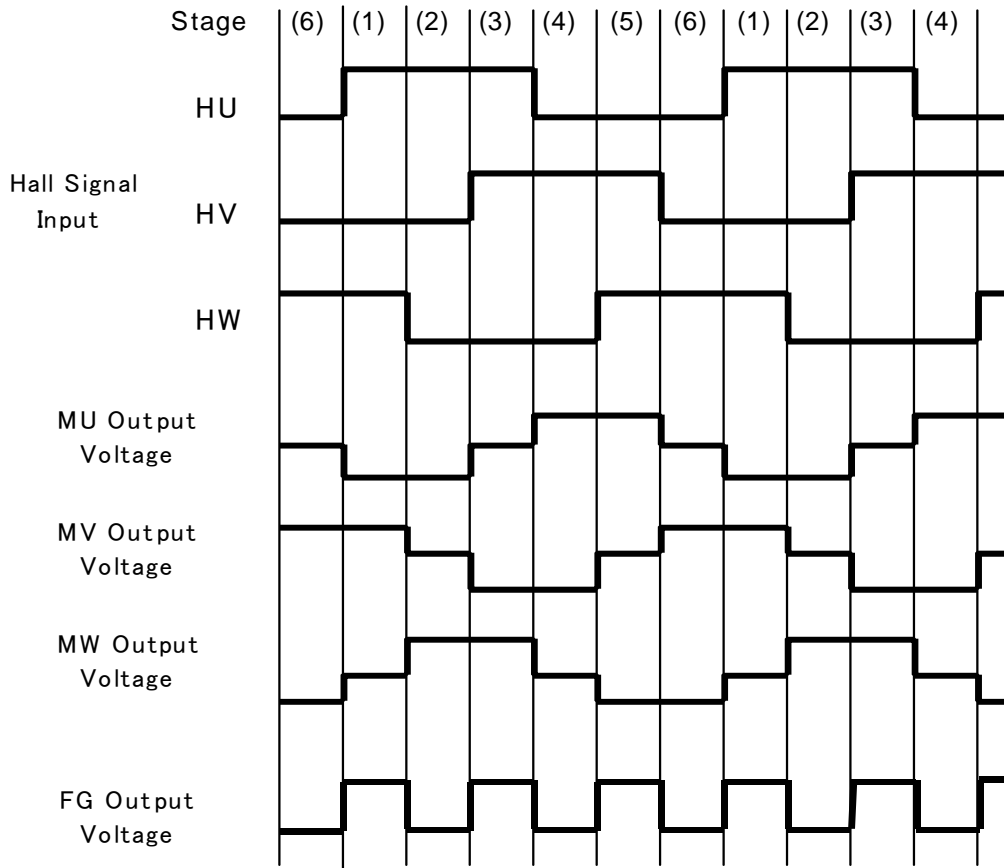
# ECN30206SP/SPR/SPV

## 3.IGBT Motor Bridge Commutations and Logic Functions

### 3.1 Truth Table

Stage	Hall Signal Input			U		V		W		FG Output
	HU	HV	HW	Top Arm	Bottom Arm	Top Arm	Bottom Arm	Top Arm	Bottom Arm	
(1)	H	L	H	OFF	ON	ON	OFF	OFF	OFF	H
(2)	H	L	L	OFF	ON	OFF	OFF	ON	OFF	L
(3)	H	H	L	OFF	OFF	OFF	ON	ON	OFF	H
(4)	L	H	L	ON	OFF	OFF	ON	OFF	OFF	L
(5)	L	H	H	ON	OFF	OFF	OFF	OFF	ON	H
(6)	L	L	H	OFF	OFF	ON	OFF	OFF	ON	L
-	L	L	L	OFF	OFF	OFF	OFF	OFF	OFF	L
-	H	H	H	OFF	OFF	OFF	OFF	OFF	OFF	H

### 3.2 Timing Chart



# ECN30206SP/SPR/SPV

### 3.3 PWM Operation

The PWM signal is generated by comparing the input voltage at the VSP pin with an internal SAW wave voltage (available at the CR pin). The Duty Cycle of the resulting PWM signal is thus directly, linearly controlled by VSP pin voltage: from the Min of VSAWL to the Max of VSAWH. That is, when VSP is below VSAWL, the PWM duty cycle is at the Minimum value of 0%. when VSP is above VSAWH, the PWM duty is at the Maximum value of 100%. The ECN30206 operates in 2 quadrants by chopping the BOTTOM Arms with this PWM duty cycle during the appropriate commutation times (phases). Thus, the duty cycle controls motor torque and speed.

### 3.4 Over Current Limit Operation

Over-Current is monitored via the voltage drop across an external resistance RS. If the input voltage at the RS pin exceeds the internal Reference voltage (Vref is typically 0.5V), all BOTTOM Arms are Turned-OFF. Following an Over Current event, reset is automatically attempted during each period of the on-chip OSC. This on-chip OSC signal is available at the VTR pin.

### 3.5 Motor Rotation Direction Output Function

The rotation direction of the motor is outputted as a logic signal at the DM pin. The table below shows the DM output signals for the two (2) possible rotation directions.

Rotation Direction	DM Output
U→V→W	Low
U→W→V	High

### 3.6 VCC Under-Voltage Detection

If VCC drops below LVSDON (12.0V typ), all IGBTs (TOP and BOTTOM Arms) Turn-OFF. Normal operation returns when VCC rises above LVSDOFF: the value of LVSDOFF is LVSDON + Vrh.

### 3.7 All Output IGBT Shut-OFF Function

When VSP drops below Voff (1.23V typ), all IGBTs (TOP and BOTTOM Arms) Shut-OFF.

VSP Input Voltage	TOP Arm Outputs	BOTTOM Arm Outputs
$0V \leq VSP < Voff$	All IGBTs are OFF	All IGBTs are OFF
$Voff \leq VSP < VSAWL$	Following the 3.1 Truth Table	All IGBTs are OFF
$VSP \geq VSAWL$	Following the 3.1 Truth Table	Following the 3.1 Truth Table

When a motor is rotating and VSP drops below Voff, the VS voltage can rise.

Also in this condition VS must not exceed the 500VDC Breakdown Voltage.

# ECN30206SP/SPR/SPV

## 4. Standard Applications

### 4.1 External Components

Component	Standard Value	Usage	Remark
C0	0.22 $\mu$ F $\pm$ 20%	Filters the internal power supply (VB)	Stress voltage is VB (=8.2V)
C1,C2	1.0 $\mu$ F $\pm$ 20%	For charge pump	Stress voltage is VCC
D1,D2	Hitachi DFG1C6 (Glass mold type), DFM1F6 (Resin mold type) or equivalent	For charge pump	600V, 1A trr $\leq$ 100ns
Rs	Note 1	Sets Over-Current limit	
CTR	1800 pF $\pm$ 5%	Sets PWM frequency	Stress voltage is VB (=8.2V) Note 2
RTR	22 k $\Omega$ $\pm$ 5%	Sets PWM frequency	Stress voltage is VB (=8.2V) Note 2

Note 1 The detection current (IO) for the Over Current limit operation can be calculated as follows.

$$IO(A) = Vref(V) / Rs(\Omega)$$

Where Vref is 0.55V and Rs is a minimum value.

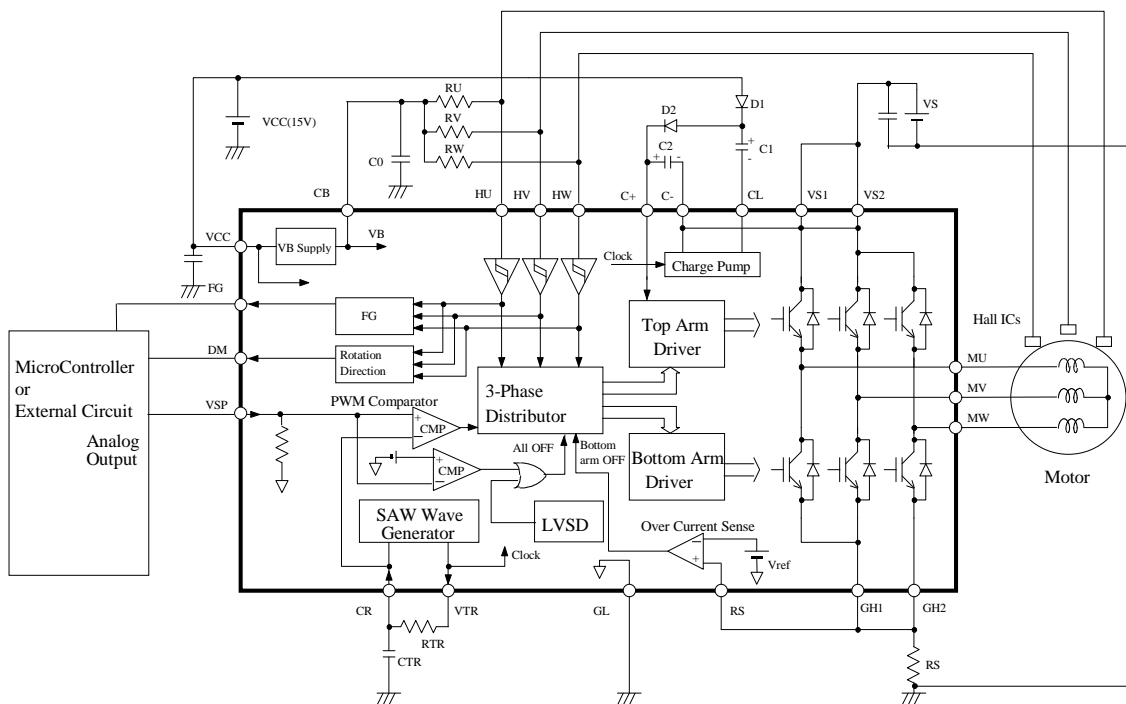
(These are worst case values.)

To determine the Sense Resistor Rs, refer to the above comments and Appendix paragraphs 1.4.

Note 2 The PWM frequency is approximated by the following equation:

$$PWM \text{ Frequency (Hz)} \approx 0.494 / (CTR(F) \times RTR(\Omega))$$

Note 3 The Standard value for RU,RV,RW is 5.6 k $\Omega$   $\pm$  5%.



Note : The inside of the bold line shows ECN30206

Figure 6. Block Diagram

### 4.2 Input Pins

In some applications, input pins may be noise sensitive due to their high impedance. This can be minimized with the use of an external resistor and/or external capacitors as follows:

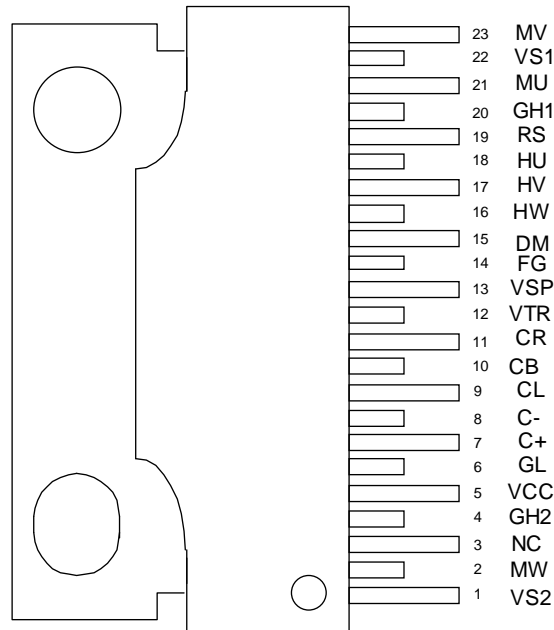
Resistor (for the VSP pin) : 5.6k $\Omega$   $\pm$  5% pull down resistor

Capacitor (for HU, HV, HW and VSP pins): 500pF  $\pm$  20% ceramic capacitor close to the input pin



# ECN30206SP/SPR/SPV

## 5. Pinout



(Marking side)

## 6. Terminal definitions

Terminal No.	Symbol	Definition	Remark
1	VS2	Power Supply for Upper IGBTs of phases V and W	Note1,Note2
2	MW	W phase output (to BLDC motor coil W)	Note1
3	NC	No Connection	Note4
4	GH2	W phase emitter of IGBT and anode of FWD. Connect RS.	Note3
5	VCC	Analog/Logic power supply	
6	GL	Analog/Logic ground	
7	C+	For the Charge Pump circuit, power supply for TOP Arm drive circuit	Note1
8	C-	For the Charge Pump circuit	Note1, Note2
9	CL	For the Charge Pump circuit	Note1
10	CB	Internally regulated (VB) power supply output	
11	CR	Connect resistance & capacitance to generate the PWM clock frequency	Note5
12	VTR	Connect resistance to generate the PWM clock frequency	Note5
13	VSP	Input analog voltage that varies the PWM duty cycle from 0% to 100%	Note6
14	FG	Tachometer output signal whose frequency is $(\text{RPM}/60) \times (P/2) \times 3 \text{ Hz}$	
15	DM	Motor rotation direction output	Note7
16	HW	Input signal from the Hall IC of phase W	
17	HV	Input signal from the Hall IC of phase V	
18	HU	Input signal from the Hall IC of phase U	
19	RS	RS voltage detect input for the on-chip Over Current limit detection	
20	GH1	U and V phase emitters of IGBTs and anodes of FWDs. Connect RS.	Note3
21	MU	U phase output (to BLDC motor coil U)	Note1
22	VS1	Power supply for Upper IGBT of phase U	Note1,Note2
23	MV	V phase output (to BLDC motor coil V)	Note1

Note1 This is high voltage pin.

Note2 The VS1, VS2 and C- pins are connected within the IC. But VS1 and VS2 must be connected by external wiring.

Note3 GH1 and GH2 are not connected within the IC and must be connected by external wiring.

Note4 Not connected to the internal IC chip.

Note5 See paragraph 4.

Note6 Can also Turn-OFF all IGBTs. See paragraph 3.7.

Note7 See paragraph 3.5.

---

# ECN30206SP/SPR/SPV

---

## 7. Inspection

Hundred percent inspection shall be conducted on electric characteristics at room temperature.

## 8. Cautions

- 8.1 Tightening torque at 0.39 to 0.78 N-m should be applied for device to attach to heat sink.
- 8.2 Tab should not be soldered.
- 8.3 Customers are advised to follow the below cautions to protect semiconductor from electrical static discharge (ESD).
  - a) IC needs to be dealt with caution to protect from damage by ESD. Material of container or any device to carry semiconductor devices should be free from ESD, which may be caused by vibration while transportation. To use electric-conductive container or aluminum sheet is recommended as an effective countermeasure.
  - b) What touches semiconductor devices such as work platform, machine and measuring and test equipment should be grounded.
  - c) Workers should be grounded connecting with high impedance around 100k $\Omega$  to 1M $\Omega$  while dealing with semiconductor to avoid damaging IC by electric static discharge.
  - d) Friction with other materials such as a high polymer should not be caused.
  - e) Attention is needed so that electric potential will be kept on the same level by short circuit terminals when PC board with mounted IC is carried and that vibration or friction might not occur.
  - f) Air conditioning is needed so that humidity should not drop.
- 8.4 Applying molding or resin coating is recommended for below mentioned pin-to-pin insulation; 1-2, 2-4, 6-7, 8-9, 9-10, 20-21, 21-22, 22-23
- 8.5 Protective function against short circuit (ex. load short, line-to-ground short or top/bottom arm short) is not built in this IC. External protection needs to prevent IC breakdown.
- 8.6 Refer to the latest version of "Instructions for Use of Hitachi High-Voltage Monolithic ICs" for the other precautions and instructions on how to deal with products.
- 8.7 Regardless of changes in external conditions during use, "absolute maximum ratings" should never be exceeded in designing electronic circuits that employ products. In a case absolute maximum ratings are exceeded, products may be damaged or destroyed. In no event shall Hitachi be liable for any failure in products or any secondary damage resulting from use at a value exceeding the absolute maximum ratings.
- 8.8 Products may experience failures due to accident or unexpected surge voltages. Accordingly, adopt safe design features, such as redundancy or prevention of erroneous action, to avoid extensive damage in the event of a failure.
- 8.9 Products are not designed, manufactured, or warranted to be suitable for use where extremely high reliability is required (such as use in nuclear power control, aerospace and aviation, traffic equipment, life-support-related medical equipment, fuel control equipment and various kinds of safety equipment). Inclusion of products in such application shall be fully at the risk of customers.

Hitachi Power Semiconductor Device, Ltd. assumes no liability for applications assistance, customer product design, or performance. In such cases it is advised customers to ensure circuit and/or product safety by using semiconductor devices that assures high reliability or by means of user's fail-safe precautions or other arrangement. (If a semiconductor device fails, there may be cases in which the semiconductor device, wiring or wiring pattern will emit smoke or cause a fire or in which the semiconductor device will burst.)
- 8.10 Lead (Pb)-free solder is used for coating pins and the tab of this IC. In case of flow soldering\*, the IC can withstand peak temperature 260°C for less than 10 seconds in liquid solder.

\*Only pins are in liquid solder. The package body and the tab must not be in it.

---

# ECN30206SP/SPR/SPV

---

## 9. Important Notices

- 9.1 Hitachi warrants performance of its power semiconductor products (hereinafter called "products") to the specifications applicable at the time of sale in accordance with the Product Specification. Testing and other quality control techniques are utilized to the extent Hitachi needs to meet specifications described in the Product Specification. Specific testing of all parameters of each device is not necessarily performed, except those mandated by related laws and/or regulations.
- 9.2 Should any claim be made within one month of product delivery about products' failure to meet performance described in the Product Specification, all the products in relevant lot(s) shall be retested and re-delivered. Products delivered more than one month before of such claim shall not be counted for such response.
- 9.3 Hitachi assumes no obligation or any way of compensation should any fault about customer's goods using products be found in marketplace. Only in such a case fault of Hitachi is evident and products concerned do not meet the Product Specification, compensation shall be conducted if claimed within one year of product delivery up to in the way of product replacement or payment of equivalent amount.
- 9.4 Hitachi reserves the right to make changes in the Product Specification and to discontinue mass production of the relevant products without notice. Customers are advised before purchasing to confirm specification of the product of inquiry is the latest version and that the relevant product is on mass production status in such a case purchasing is suspended for one year or more.
- 9.5 In no event shall Hitachi be liable for any damage that may result from an accident or any other cause during operation of the user's units according to this Product Specification. Hitachi assumes no responsibility for any intellectual property claims or any other problems that may result from applications of information, products or circuits described in this Product Specification.
- 9.6 No license is granted by this Product Specification under any patents or other rights of any third party or Hitachi Power Semiconductor Device, Ltd.
- 9.7 This Product Specification may not be reproduced or duplicated, in any form, in whole or in part without the expressed written permission of Hitachi Power Semiconductor Device, Ltd.
- 9.8 The products (technologies) described in this Product Specification are not to be provided to any party whose purpose in their application will hinder maintenance of international peace and safety nor are they to be applied to that purpose by their direct purchasers or any third party. When exporting these products (technologies), the necessary procedures are to be taken in accordance with related laws and regulations.

# ECN30206SP/SPR/SPV

## ◆Appendix - Supplementary Data

Refer to the derating information below when designing with the ECN30206.

### 1. Safe Operation Area (SOA) and Derating Standards

#### 1.1 SOA

The ECN30206 must not be used outside the SOA shown in Figure 7, where the current and voltage are at the MU, MV and MW pins (motor coils).

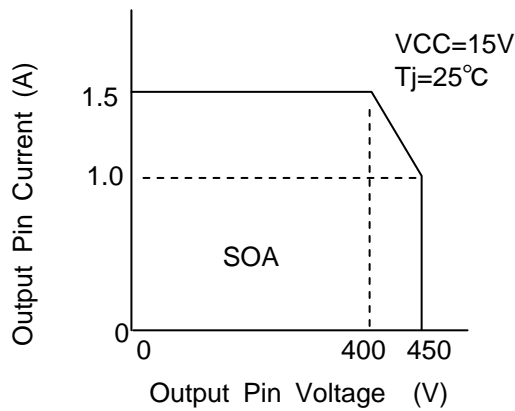


Figure 7. SOA

#### 1.2 Current Derating for VCC

The current derating for VCC is shown in Figure 8. Use the ECN30206 below the derating curve. When the current limit is less than 1A, power supply sequence is free.

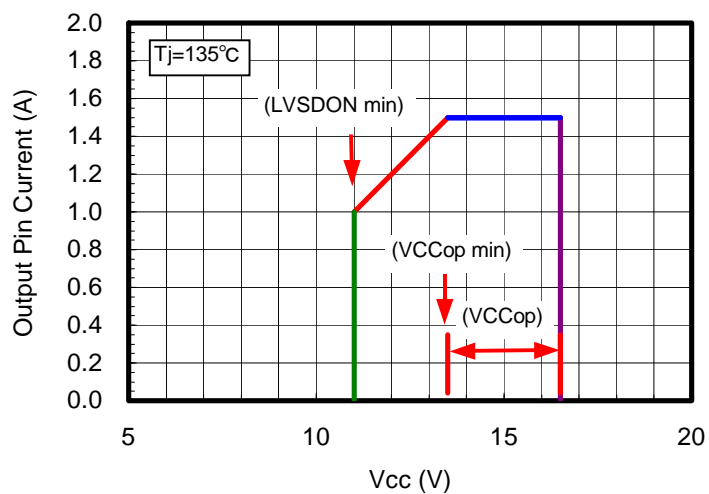


Figure 8. Current Derating for VCC

# ECN30206SP/SPR/SPV

### 1.3 Current Derating for Junction Operating Temperature

The SOA has a dependence on junction operating temperature ( $T_{jop}$ ) and  $V_s$  power supply voltage. The current derating for junction operating temperature is shown in Figure 9.

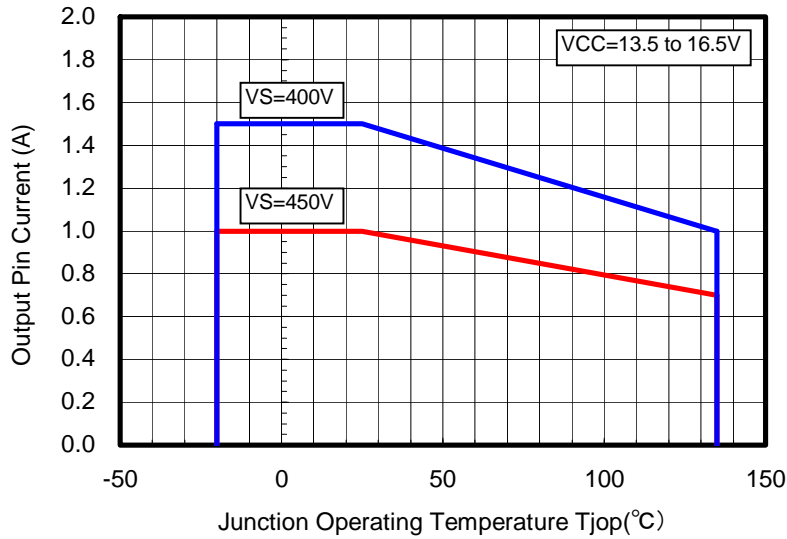


Figure 9. Current Derating for Junction Operating Temperature

### 1.4 Sense Resistor Determination for Over Current Limit Operation

When determining the sense resistor ( $R_s$ ) for over current limit operation, consider the variability of the reference voltage ( $V_{ref}$ ) and the sense resistor.

The current must be below the derating curves of Figure 8 and Figure 9.

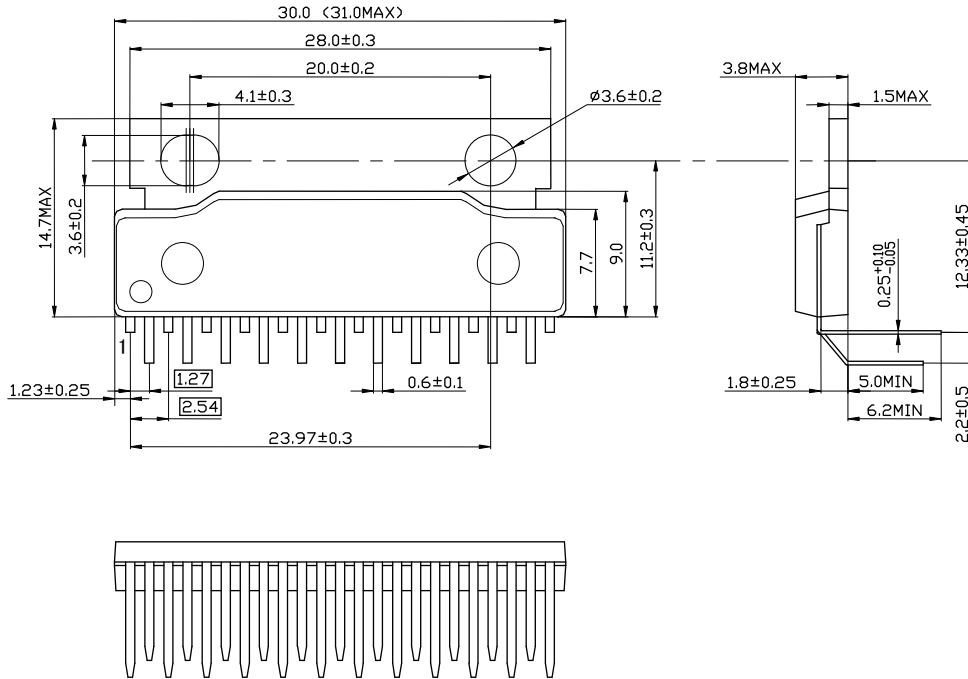
### 1.5 General Design Derating Standards

- a) Temperature - Junction Operating Temperature must be kept under 110 °C.
- b) Supply Voltage -  $V_S$  power supply voltage must be kept under 450 V.

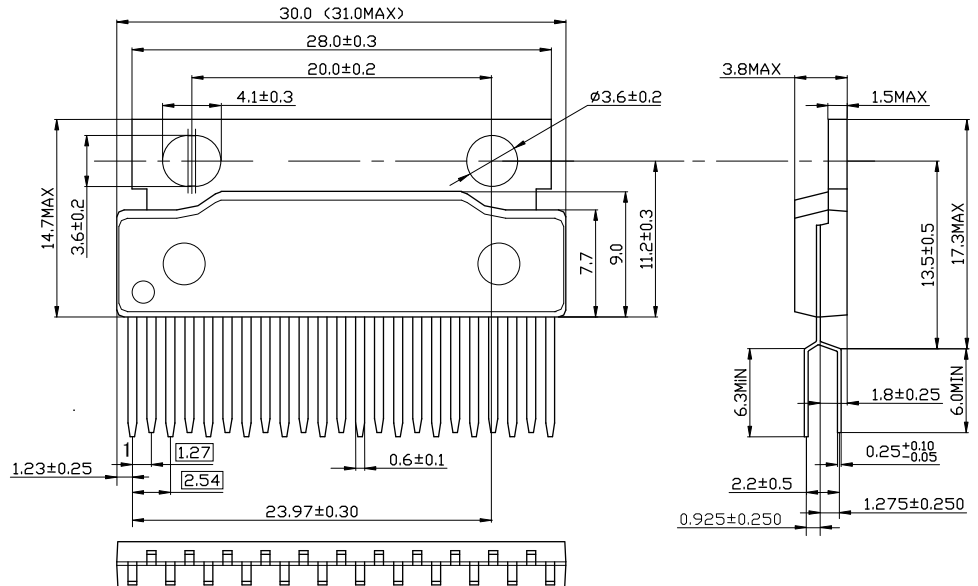
# ECN30206SP/SPR/SPV

## 2. Package Dimensions (Unit: mm)

### (1) ECN30206SP (SP-23TA)

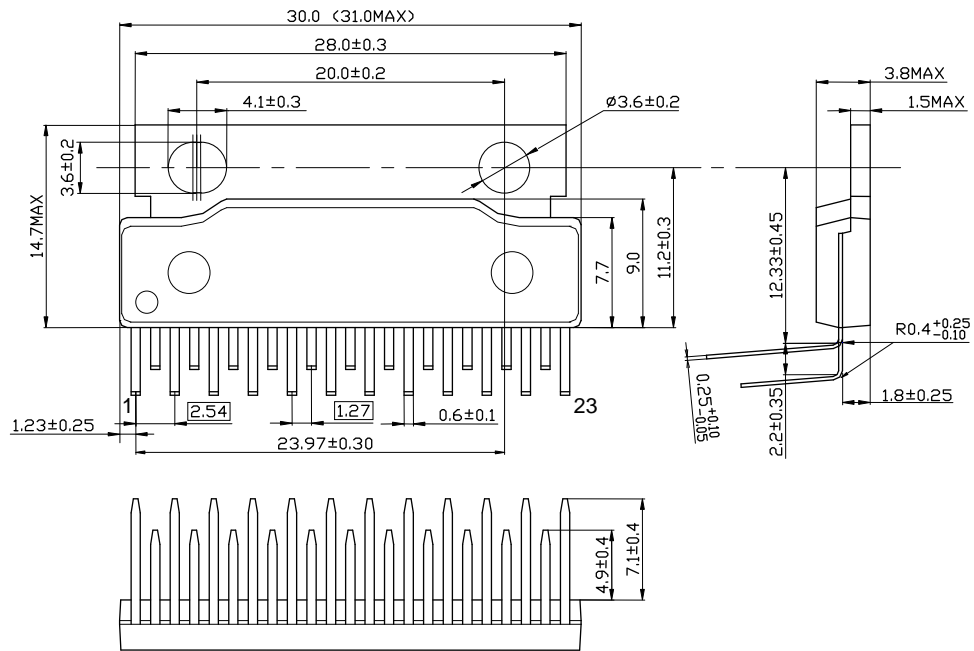


### (2) ECN30206SPV (SP-23TB)



# ECN30206SP/SPR/SPV

(3) ECN30206SPR (SP-23TR)



---

## Precautions for Safe Use and Notices

---

If semiconductor devices are handled in inappropriate manner, failures may result. For this reason, be sure to read the latest version of "Instructions for Use of Hitachi High-Voltage Monolithic ICs" before use.



This mark indicates an item about which caution is required.



### CAUTION

This mark indicates a potentially hazardous situation which, if not avoided, may result in minor or moderate injury and damage to property.



## CAUTION

- (1) Regardless of changes in external conditions during use "absolute maximum ratings" should never be exceeded in designing electronic circuits that employ semiconductors. In the case of pulse use, furthermore, "safe operating area (SOA)" precautions should be observed.
- (2) Semiconductor devices may experience failures due to accident or unexpected surge voltages. Accordingly, adopt safe design features, such as redundancy or prevention of erroneous action, to avoid extensive damage in the event of a failure.
- (3) In cases where extremely high reliability is required (such as use in nuclear power control, aerospace and aviation, traffic equipment, life-support-related medical equipment, fuel control equipment and various kinds of safety equipment), safety should be ensured by using semiconductor devices that feature assured safety or by means of user's fail-safe precautions or other arrangement. Or consult Hitachi's sales department staff.

(If a semiconductor devices fails, there may be cases in which the semiconductor device, wiring or wiring pattern will emit smoke or cause a fire or in which the semiconductor device will burst)

---

## NOTICES

---

1. This Data Sheet contains the specifications, characteristics (in figures and tables), dimensions and handling notes concerning power semiconductor products (hereinafter called "products") to aid in the selection of suitable products.
2. The specifications and dimensions, etc. stated in this Data Sheet are subject to change without prior notice to improve products characteristics. Before ordering, purchasers are advised to contact Hitachi's sales department for the latest version of this Data Sheet and specifications.
3. In no event shall Hitachi be liable for any damage that may result from an accident or any other cause during operation of the user's units according to this Data Sheet. Hitachi assumes no responsibility for any intellectual property claims or any other problems that may result from applications of information, products or circuits described in this Data Sheet.
4. In no event shall Hitachi be liable for any failure in a semiconductor device or any secondary damage resulting from use at a value exceeding the absolute maximum rating.
5. No license is granted by this Data Sheet under any patents or other rights of any third party or Hitachi Power Semiconductor Device, Ltd.
6. This Data Sheet may not be reproduced or duplicated, in any form, in whole or in part, without the expressed written permission of Hitachi Power Semiconductor Device, Ltd.
7. The products (technologies) described in this Data Sheet are not to be provided to any party whose purpose in their application will hinder maintenance of international peace and safety nor are they to be applied to that purpose by their direct purchasers or any third party. When exporting these products (technologies), the necessary procedures are to be taken in accordance with related laws and regulations.

Refer to the following website for the latest information. Consult Hitachi's sales department staff if you have any questions.

<http://www.hitachi-power-semiconductor-device.co.jp/en/>