

ECN3021/ECN3022 Application Note

1. Introduction

ECN3021/ECN3022 is a one-chip three-phase bridge inverter IC which has 6 IGBTs in the circuit. Especially, it is very suitable for controlling the speed of three-phase DC brushless motors to which converted AC200-230V power supplies are applied. Fig.1 and Fig.2 shows the internal block diagram for ECN3021 and ECN3022. ECN3021 and ECN3022 have almost the same characteristics. But only ECN3022 has the feature that all the arm output IGBTs can be turned off when the input voltage for Vsp terminal is under 1.23V.

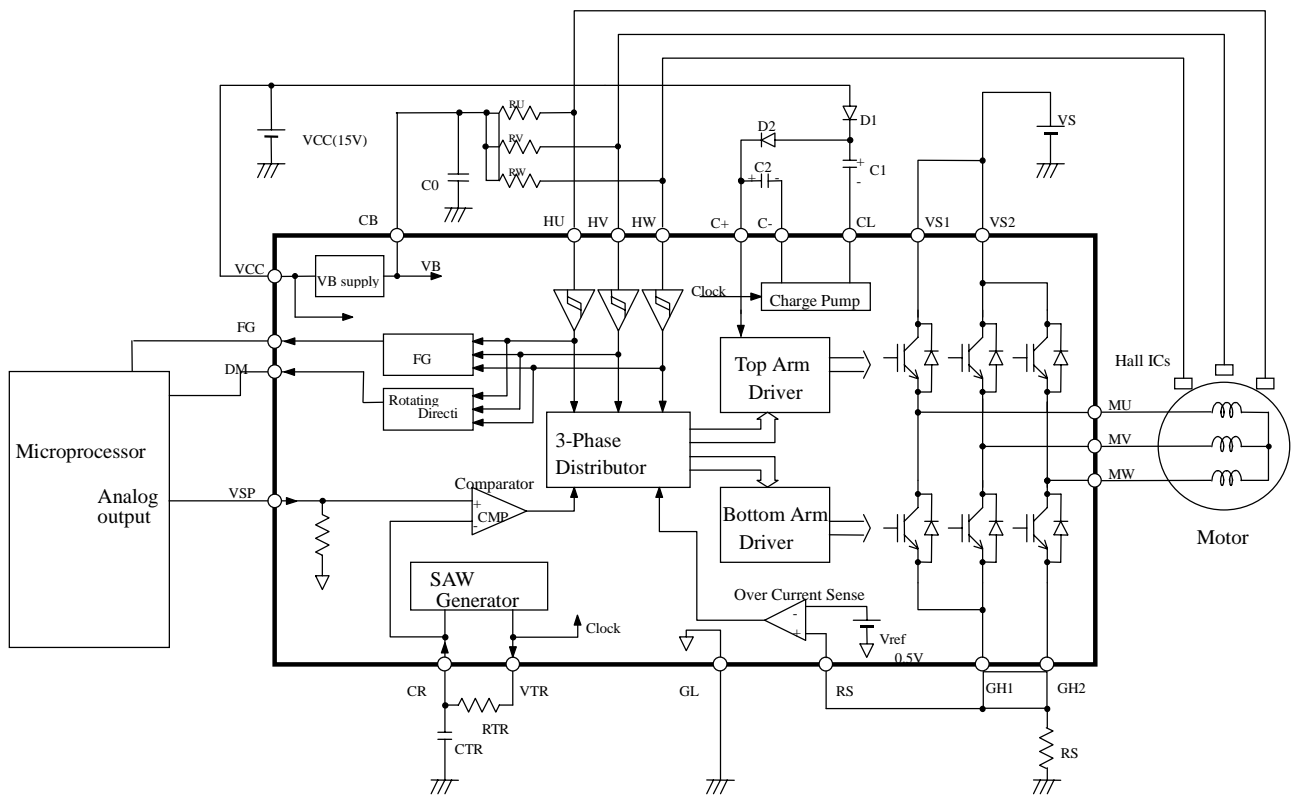


Fig. 1 Block diagram
ECN3021

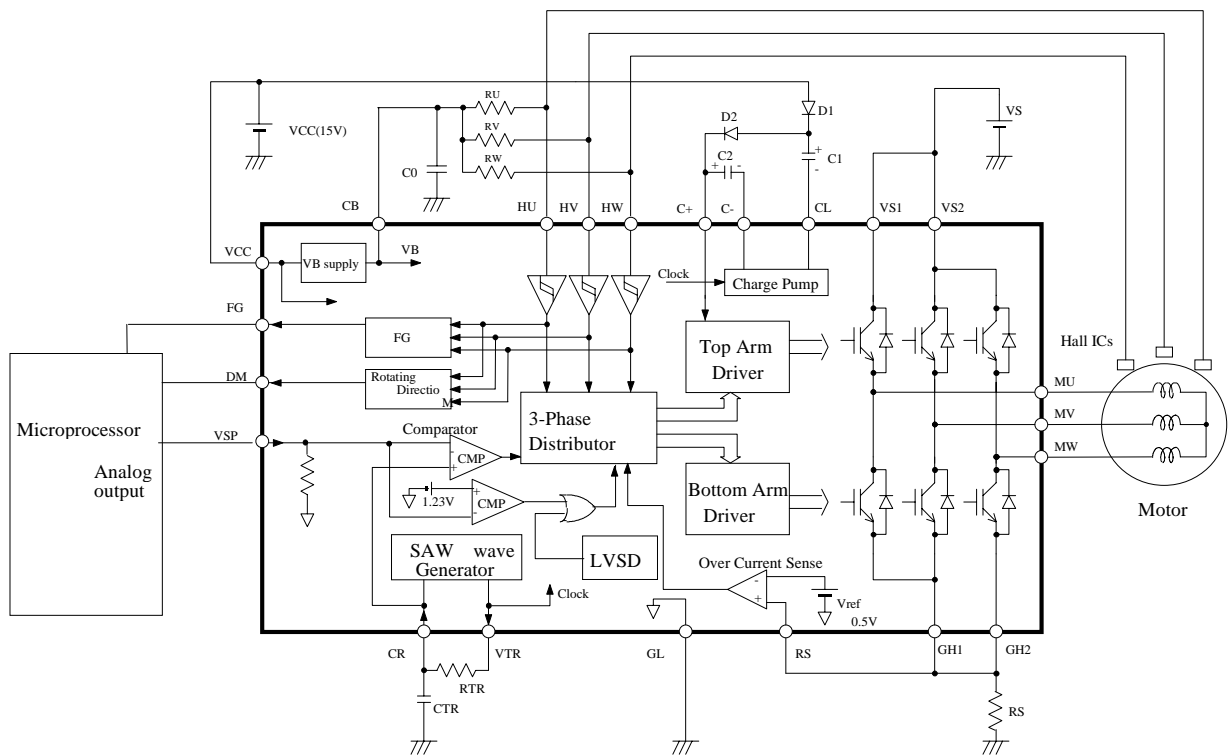


Fig.2 Block diagram

ECN3022

2. The function of input terminals and equivalent circuits

(1)HU, HV, HW terminals

- These are input terminals which control the output devices of the three-phase bridge. They have a compatibility for the input voltage with 5V-CMOS logic and TTL. And each terminal has a pull-up resistance of typ. 200kΩ.
- The terminals have a possibility to get an influence from some noise because of their high impedance. In this case, it is recommended to have a 5.6 kΩ pull-up resistance between these terminals and CB terminal, to have a ceramic capacitor of about 500pF near these terminals, or to have both of them.

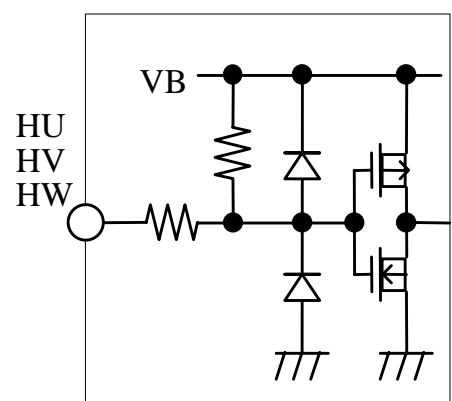


Fig.3 Equivalent circuit of the input terminals

(2)VSP terminal

- This is an input terminal which controls the motor speed. A PWM signal is produced by comparing the triangular wave signal from CR terminal with the analog signal which is put into VSP terminal. The duty of the PWM signal can be changed by the triangular wave amplitude level, from the minimum point of VSAWL to the maximum point of VSAWH, and when the level is under VSAWL, the duty becomes 0%, and when the level is over VSAWH, the duty becomes 100%.
- ECN3022 has the feature, which turns off all the output IGBTs, by Vsp signal. When the input signal for Vsp is under Voff(1.23V Typ. ; Vsp all off operation voltage), all the arm IGBTs are turned off.
- This terminal has an input resistance of typ. 300Ω and a pull-down resistance of typ. 200kΩ.
- Attention should be paid when the input voltage into this terminal exceeds the voltage of VB.

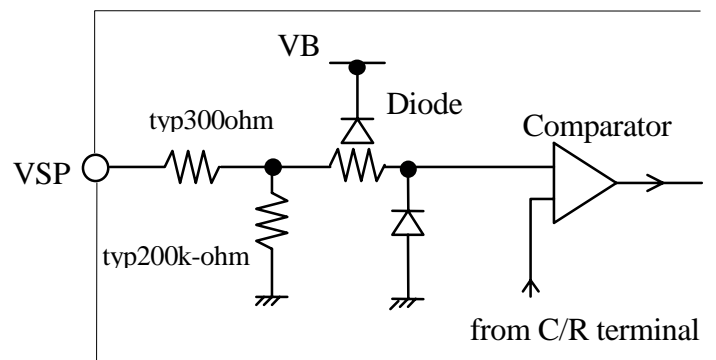


Fig.4 Equivalent circuit around VSP terminal

In this case, it happens that current flows into the internal circuit. If this is inevitable, an external resistance R should be connected between the VSP signal and the VSP terminal, and the current should be under 1mA. For reference, the next equation shows how to determine the value of the external resistance,

$$(VSP - VB - VF_{diode}) / (R + 300\Omega) \leq 1mA$$

$$VF_{diode} = 0.5V \text{ (at high temperature)}$$

$$300\Omega; \text{ the internal resistance}$$

- When an external resistance R is connected, the input voltage to the comparator is divided by the external resistance R and the internal resistance. Therefore, there is a voltage difference between the voltage of VSP and the voltage of the input for the comparator.

(3)CR, VTR terminal

- The frequency of the triangular wave is decided by a resistance and a capacitor which are connected at two terminals as shown in Fig. 5. Approximately, the frequency can be calculated by the following equation,

$$f_{\text{PWM}} = -1 / (2CR \ln(1 - 3.5/5.5)) = 0.494 / (CR) \quad (\text{Hz})$$

- Error factor for the frequency of the triangular wave is suppose to be as follows. The value of the internal resistance (the output resistance for VTR terminal which is written in the specification) is added to the external resistance. And a floating capacitance which exists on the circuit board is added to the external capacitance.
- Variation factor of the amplitude level for the triangular wave is supposed to be as follows. The voltage of VSAWH and VSAWL is produced from dividing VB by the three resistances. Theoretically, they can be calculated by these equations,

$$V_{\text{SAWH}} = V_B \times 5.4 / 7.5$$

$$V_{\text{SAWL}} = V_B \times 2.1 / 7.5$$

Therefore, main factor of the variation of the frequency comes from the variation of the internal power supply VB.

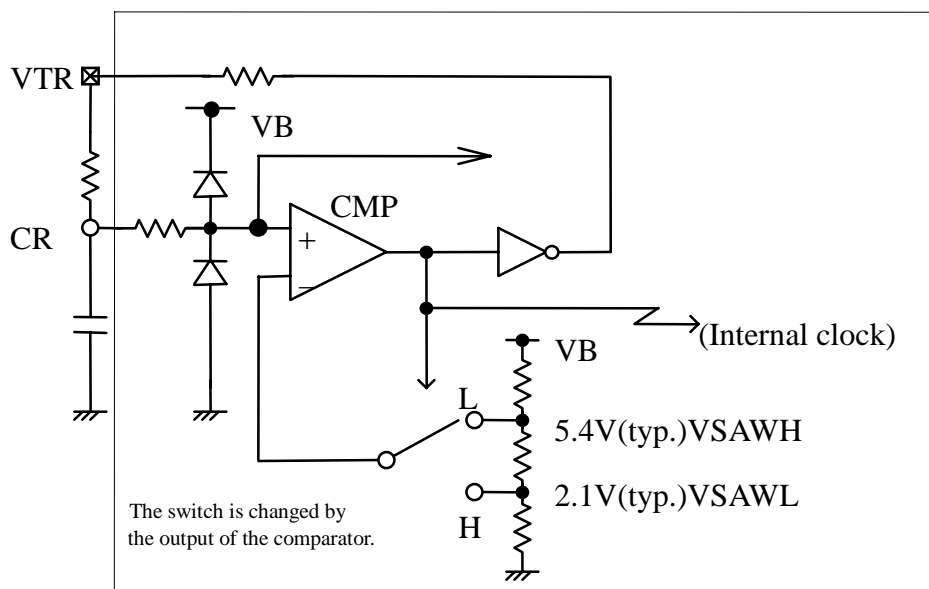


Fig.5 Equivalent circuit around CR, VTR terminal

(4)RS terminal

- This is an input terminal where the output signal from the over-current detection circuit goes into. RS shunt resistance is connected to GH1 and GH2, and the

voltage drop at this resistance is put into RS terminal. Over current can be detected by this input signal. The detected current IO is calculated by this equation,

$$I_O = V_{ref} / R_S \quad (A) \quad V_{ref}; \text{ Standard voltage for current limitation}$$

When the detected current exceeds Vref, bottom arms are turned off. The reset after the detection of over current is done every period of the internal clock.

- RS terminal has an internal filter which consists of a capacitance and a resistance (C ; typ.5pF, R ; typ.220kΩ). Therefore, external filters are not needed generally.

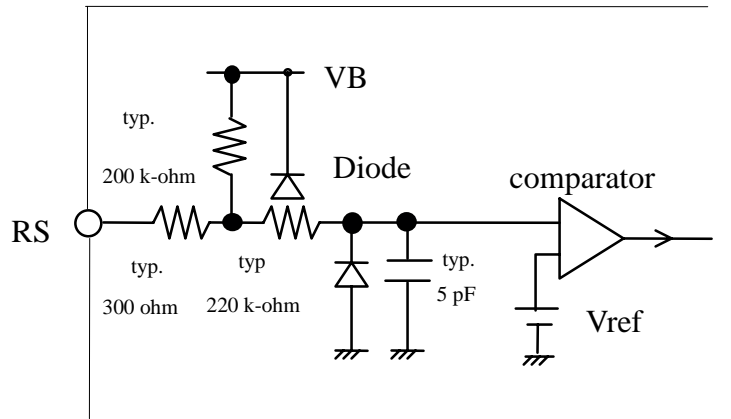


Fig.6 Equivalent circuit around RS terminal

(5)FG, DM terminal

- The number of rotations of the motor can be monitored by the signal at this terminal. An external circuit, like a pull-up resistance, should be connected between FG and Vcc (or CB) terminal. An output pulse is produced according to input signals for HU, HV, HW. Only when two signals are high among HU, HV and HW, a high signal comes out at FG terminal. The frequency of the output signal increases as the number of rotations of the motor increases.
- The rotation direction of the motor is detected by the signal at DM terminal. An external circuit, like a pull-up resistance, should be connected between DM and Vcc or CB terminal for the detection.

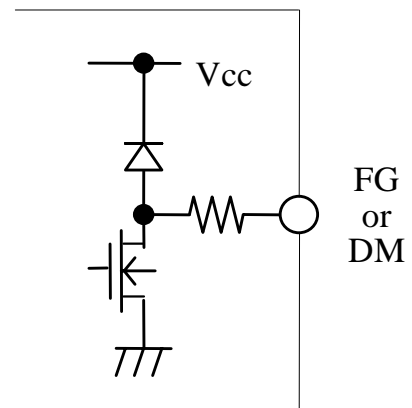


Fig. 7 Equivalent circuit around DM, FG terminal

The output signals are as follows,

Output signal for the rotation direction	
Rotation direction	Output signal at DM
U→V→W	L
U→W→V	H

(6)MU, MV, MW

These terminals are connected to the coils of the motor. The terminals are also connected to 6 IGBTs and 6 fast recovery diodes. The 3-phase bridge is made up of them.

(7)Vcc terminal

- The voltage which operates top arm drivers, bottom arm drivers, and high voltage circuit, like a charge pump circuit, is supplied to this terminal. And the internal power supply VB is produced from the supplied voltage at this terminal.
- The capacity of the power supply for Vcc terminal needs some margin. The current which is calculated by addition of the stand-by current Icc and the current from CB terminal can be a reference for it.

(8)CB terminal

- This is an output terminal for the internal power supply VB. VB supplies operation voltage for the circuits of input, 3-phase distributor, FG, rotation direction monitor, triangular wave generator, over-current detection, and so on.
- A capacitor of over 0.22μF should be connected to this terminal for making smooth VB.

(9)VS1, VS2 terminal

These are terminals for the supplied voltage for the IGBTs. Both terminals should be connected near IC pins. When one terminal is opened, the IC has a possibility to be broken.

(10)C+, C-, CL terminal

- These are terminals for a charge pump circuit. Generally, 3-phase bridge circuits have totem pole structure which has a n-channel MOSFET for the output device.

Therefore, higher voltage than V_S is needed to drive top arms. In this IC, another power supply is not needed because it has a charge pump circuit which produces voltage for driving top arms.

- C+ terminal is a terminal where the driving voltage for top arms is supplied. The supplied voltage is about $(V_S + V_{CC})$.
- C- terminal has a connection to VS1,2 terminal inside the IC.
- CL terminal works for pumping up the voltage from V_{CC} terminal to the capacitor which is connected to C+ terminal. The voltage at this terminal can be changed from 0V to V_S .
- The charge pump circuit is operated by the clock inside the IC. Looking at Fig. 1, when CL is 0V, this circuit charges C1 capacitor, while the charge comes from V_{CC} via D1. Next, the voltage of CL terminal goes up to V_S and the charge which C1 capacitor had is pumped up to C2 capacitor via D2. By repeating this operation with a frequency which is set up in the triangular wave circuit, the voltage for driving top arms is supplied at C+ terminal.
- Diodes D1, D2 should be connected to these terminals.(Ref. Fig. 1) When using diodes with axial leads, it is recommended to use high speed diodes, like Hitachi diode DFG1C6(600V, 1A, 100ns). High voltage diodes are needed because CL is changed from 0V to V_S .
- Capacitors C1, C2 should be connected to these terminals. (Ref. Fig. 1) Top arm IGBTs are driven by the voltage which is charged in these capacitors. It is recommended that the capacity of the capacitors should be $0.5\mu\text{F} \pm 20\%$ for ECN3021, $1.0\mu\text{F} \pm 20\%$ for ECN3022. When other capacitors are used for them, the voltage(V_{CP}) between C+ and C- should not be under 10V. The stress voltage in the capacitors exceeds V_{CC} because of the circuit operation.

(11)GL terminal

This is a ground terminal for V_{CC} and the internal power supply V_B .

(12)GH1, GH2 terminal

These are connected to the emitters of the bottom arm IGBTs. Over-current can be detected by comparing the voltage drop which is produced at a shunt resistance R_S with V_{ref} . GH1 should be connected to GH2 near IC pins.

3. Caution for using this IC

(1) Power supply sequence

- This IC has an under-voltage detection circuit for Vcc. It works at about 12V of Vcc, and it has a hysteresis of 0.5V. When Vcc is under 12V, the operation of top and bottom arms stops.
- When VSP is low, the power supply sequence is free.

(2) Maximum output current

For the output peak current(IMP) and the output current at start and acceleration(IOM), accumulated operation time should be within 5% of all motor operation time when IMP or IOM exceeds the output current(IMDC).

(3) Preventing ICs from breakdown by surge voltage

When surge voltage is applied to VS terminal, this IC has a possibility to be broken. These methods are effective for preventing it,

- 1) Installing elements, like Zener diodes which absorb surge voltage near VS terminal.
- 2) Installing a pass capacitor near VS terminal. As the capacity is bigger, it is more effective. It is recommended to use a ceramic capacitor of over 0.1 μ F.

(4) Voltage at tabs

Tabs are connected to GL terminal at a high impedance. Tabs should be opened or connected to the ground.

(5) Motor lock operation

When a top arm IGBT of one phase and a bottom arm IGBT of the other phase are locked on-state by an operation like a motor lock, over-current detection always works. The reset for it should be operated every one period of the internal clock, but, in this case, the IC temperature exceeds T_{jmax} , because of the higher power. This IC does not have a protection feature for a motor lock operation. Therefore, when a motor lock operation is kept for a long time, the IC has a possibility to be broken.

(6) Insulation breakdown voltage examination

When the fin(around two screw holes) of this IC is connected to the outside part of

a motor in order to emit heat, the following caution should be paid. This IC can not pass the examination of an insulation breakdown which applied high voltage between the outside part of a motor and GL. Therefore, in this examination, miller sheets which can hold high voltage should be used.

(7) Output short-circuit protection

ECN3021 and ECN3022 do not have protection feature for output short-circuit (load short-circuit, earth short-circuit, upper and lower arm short-circuit). When output short-circuit occurs, IC may be broken.

(8) Insulation length for pins

It is recommended that the pins below, which have high voltage, should have coating or molding.

1-2, 2-4, 6-7, 8-9, 9-10, 20-21, 21-22, 22-23

(9) For other cautions, please refer to

“Precautions for Use of High-Voltage Monolithic ICs”.

HITACHI POWER SEMICONDUCTORS

Notices

- 1.The information given herein, including the specifications and dimensions, is subject to change without prior notice to improve product characteristics. Before ordering, purchasers are advised to contact Hitachi sales department for the latest version of this data sheets.
- 2.Please be sure to read "Precautions for Safe Use and Notices" in the individual brochure before use.
- 3.In cases where extremely high reliability is required(such as use in nuclear power control, aerospace and aviation, traffic equipment, life-support-related medical equipment, fuel control equipment and various kinds of safety equipment), safety should be ensured by using semiconductor devices that feature assured safety or by means of users' fail-safe precautions or other arrangement. Or consult Hitachi's sales department staff.
- 4.In no event shall Hitachi be liable for any damages that may result from an accident or any other cause during operation of the user's units according to this data sheets. Hitachi assumes no responsibility for any intellectual property claims or any other problems that may result from applications of information, products or circuits described in this data sheets.
- 5.In no event shall Hitachi be liable for any failure in a semiconductor device or any secondary damage resulting from use at a value exceeding the absolute maximum rating.
- 6.No license is granted by this data sheets under any patents or other rights of any third party or Hitachi, Ltd.
- 7.This data sheets may not be reproduced or duplicated, in any form, in whole or in part , without the expressed written permission of Hitachi, Ltd.
- 8.The products (technologies) described in this data sheets are not to be provided to any party whose purpose in their application will hinder maintenance of international peace and safety not are they to be applied to that purpose by their direct purchasers or any third party. When exporting these products (technologies), the necessary procedures are to be taken in accordance with related laws and regulations.

-
- For inquiries relating to the products, please contact nearest overseas representatives which is located "Inquiry" portion on the top page of a home page.
-

Hitachi power semiconductor home page address <http://www.hitachi.co.jp/pse>